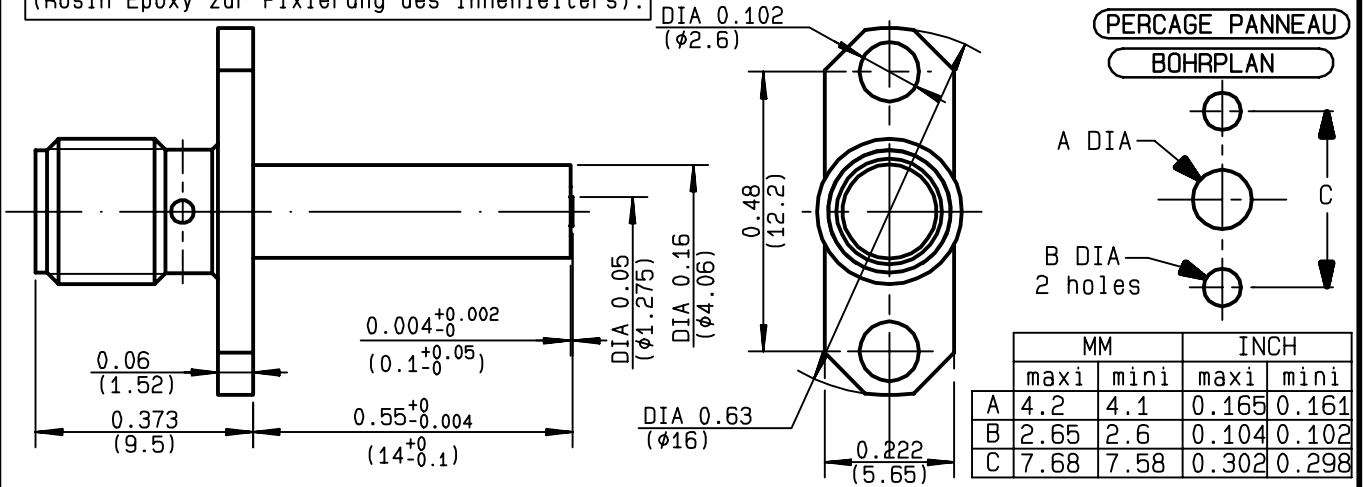


**ADJUST. 2 HOLES FLANGE JACK RECEPTACLE  
WITH CYLINDRICAL CONTACT**

**R125.464.320**  
**SERIES SMA**

Tenue du contact central par Resine Epoxy  
(Resin Epoxy center-contact captivation)  
(Rosin Epoxy zur Fixierung des innenleiters).

MOUNTING HOLE  
PERÇAGE PANNEAU  
BOHRPLAN



NOMINAL IMPEDANCE	<b>50</b>	$\Omega$
FREQUENCY RANGE	<b>0-18</b>	GHz
TEMPERATURE RATING	<b>-65/+165</b>	$^{\circ}\text{C}$
V.S.W.R	<b>1.065</b> + <b>.0025</b> x F(GHz)Maxi	
RF INSERTION LOSS	<b>0.07</b> $\sqrt{F}$ (GHz) dB Maxi	
VOLTAGE RATING	<b>500</b>	Veff Maxi
DIELECTRIC WITHSTANDING VOLTAGE	<b>1000</b>	Veff Mini
INSULATION RESISTANCE	<b>5000</b>	M $\Omega$ Mini
HERMETIC SEAL	<b>NA</b>	Atm.cm <sup>3</sup> /s
LEAKAGE (pressurized only)	<b>NA</b>	
MECHANICAL DURABILITY	<b>500</b>	Cycles
WEIGHT	<b>2.1</b>	gr
SPECIFICATION		

CABLES :	
OTHERS CHARACTERISTICS	
CABLE RETENTION	<b>NA</b> N Mini
CENTER CONTACT RETENTION	
Axial force - mating end	<b>27</b> N Mini
Axial force - opposite end	<b>27</b> N Mini
Torque	<b>2.8</b> cm.N Mini
RECOMMENDED TORQUES	
Mating	<b>NA</b> cm.N
Panel nut	<b>NA</b> cm.N
Clamp nut	<b>NA</b> cm.N

CONNECTOR PARTS:	MATERIALS	FINISH	(all values are given in micrometers)
BODY	STAINLESS STEEL	GOLD 0.5 OVER NICKEL 2	
OUTER CONTACT			
CENTER CONTACT	BERYLLIUM COPPER	GOLD 1.3 OVER NICKEL 2	
INSULATOR	PTFE	-	
GASKET		-	
OTHERS PIECES			

ISSUE	CREATION DATE	FILE PART-NUMBER
<b>9843A00</b>	<b>16/05/1997</b>	<b>97-0104-718</b>



Connect to the future

The information given here is subject to change without notice.  
Design changes may be in order to improve the product.

ILLMER